

I.C.T : Week 1

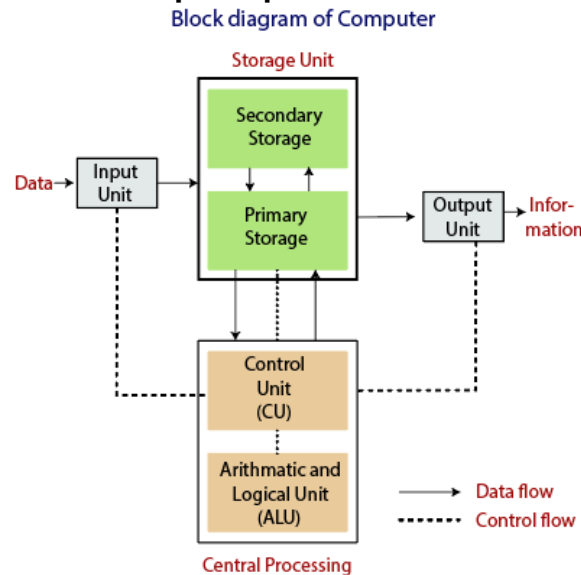
Answers

1. Rom stands for **Random Access Memory.**

2.

<u>Two Advantages of using a computer</u>	<u>Two disadvantages of using a computer</u>
<ul style="list-style-type: none"> • Store Large Amount of Information 	<ul style="list-style-type: none"> • Health Problems(Eye Blindness , Back Pain)
<ul style="list-style-type: none"> • Online Education 	<ul style="list-style-type: none"> • Possibility of data loss

3. **Block diagram to illustrate how a computer process data**



4. Definition and examples of:

1. **Software:** Computer software is a collection of instructions and code installed into a computer and cannot be touched.

Examples:

- Windows 10(System Software)
- Microsoft Word(Application Software)

2. **Storage devices:** A storage device is a hardware used to store information. There are two types of storage Primary Storage and Secondary Storage.

Examples:

- RAM(Random Access Memory)
- CD-ROM(Secondary Storage)

5. **Two good sitting posture**, someone using a computer should adapt.

- Eyes level with the monitor
- Shoulders and arms relaxed

6. Functions of the following keys:

- a. **Caps Lock** : Use to type the upper case character
- b. **Shift**: Use to type in upper case characters and type special symbols.
- c. **Numerical Keys**: Use to type numbers
- d. **Alphabetical Keys**: Use to type alphabets

7.

- 1. **Microsoft Excel** is the most appropriate software for calculating in a computer.
- 2. A light pen is an **Input** device.
- 3. A **Computer** is an electronic machine that works with data.
- 4. **Supercomputers** are the fastest and most expensive computers.
- 5. Portable computers are known as **Laptop**.
- 6. The input device that can point, click, drag, and scroll is the **Mouse**.
- 7. **Hardware** is the parts of a computer that you can see and touch.

8. A labelled computer system

